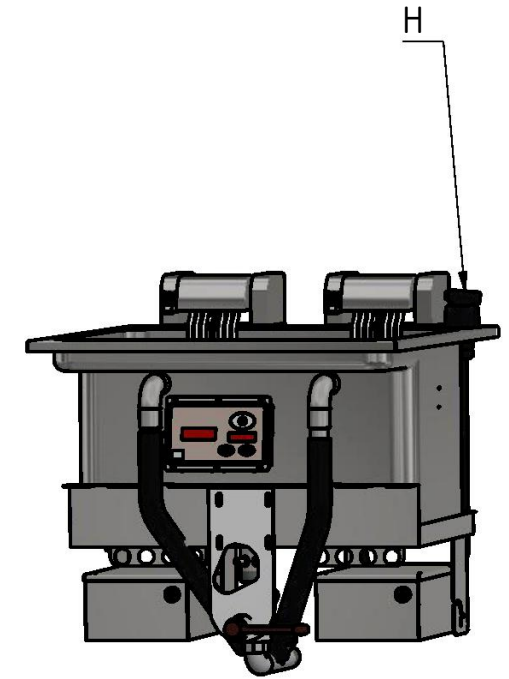
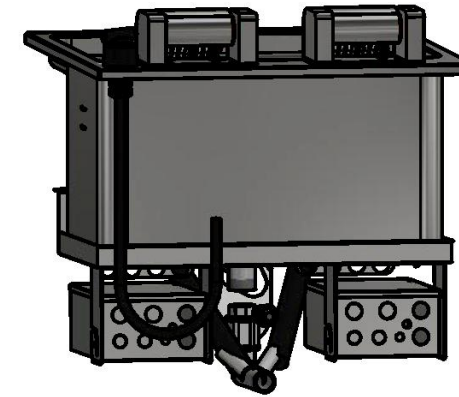
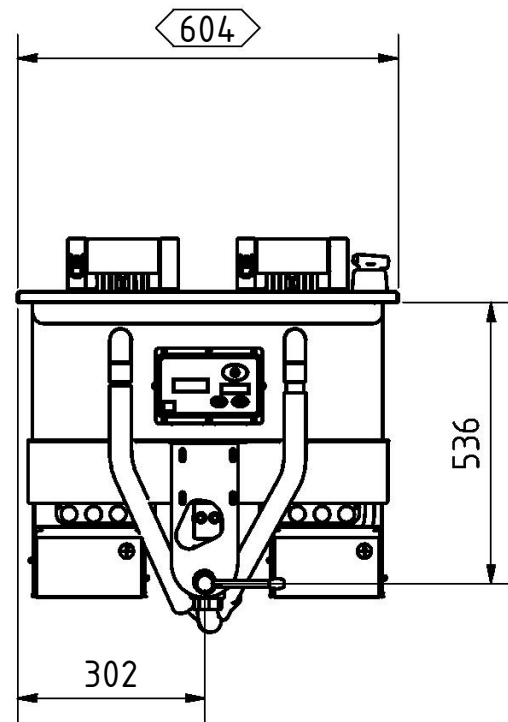
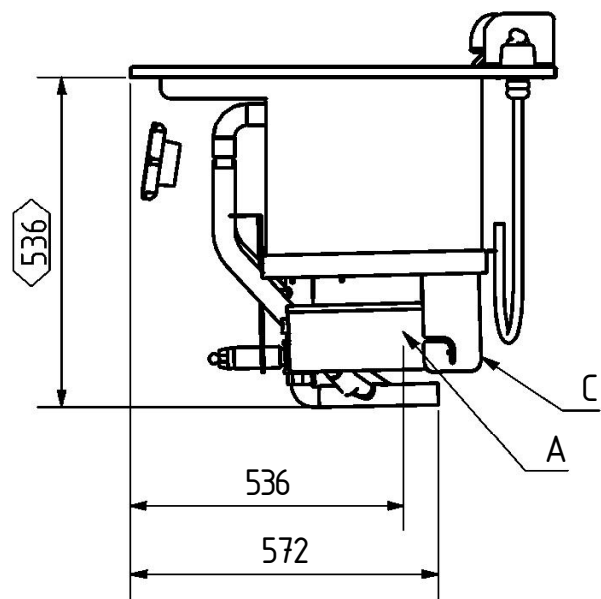
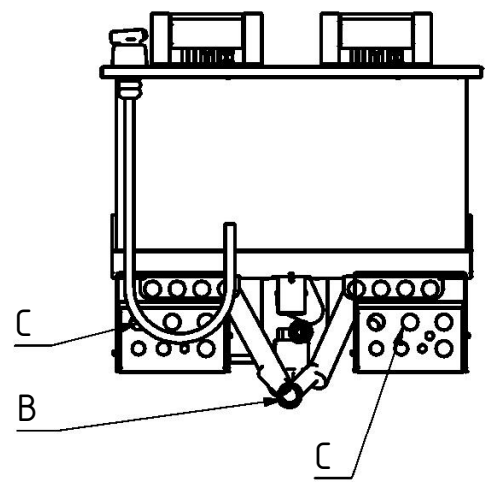


- Options -	
E=	Water softener with holder
H=	hand shower, drinking water connection 3/8"

all pipe fittings may differ
±5mm from given measures

Technical data	
Heater power	15.6 KW
Voltage	400V, 25A
Fuse	3 x 25A
Tank capacity	45 liter
C - Mains connection	3L+ N + SL, 4.0mm ² , L=1.6m
A	Drinking water max. 30°C, 0 dH, 2x armored hose 3/8"
B	Water drain connection 1", max. 98°C, connection according to local regulations

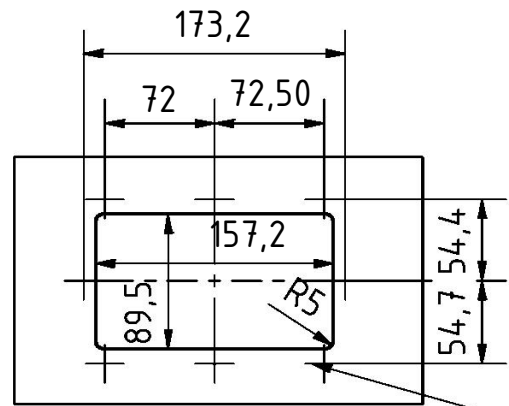


Version 12.2021

	Allgmeintoleranz/ DIN ISO 2768-1-m General tolerances DIN ISO 2768-1-K	Gewicht/weight= 14,254 15,1 kg	Maßstab: 1:12
	Wenn nicht anders angegeben, alle Maße in mm Unless otherwise specified, all Dimensions mm	Werkstoff/Material:	
Für diese Zeichnung behalten wir uns alle Rechte vor (nach DIN 34)	Datum 24.07.2017	Name Kraus	Benennung/Title PKE600
Tolerierung DIN ISO 8015 Nicht Tolerierte Maße DIN ISO 2768-mH	Kienle GmbH, Nelkenstraße 3 72469 Meßstetten-Harthelm www.kienle-fritteusen.de		Zeichnungsnummer/Drawingnumber 90972
Urheberrechte nach DIN 34 Absatz 2.1 werden beansprucht			Index
		Art.-Nr. PKE600	

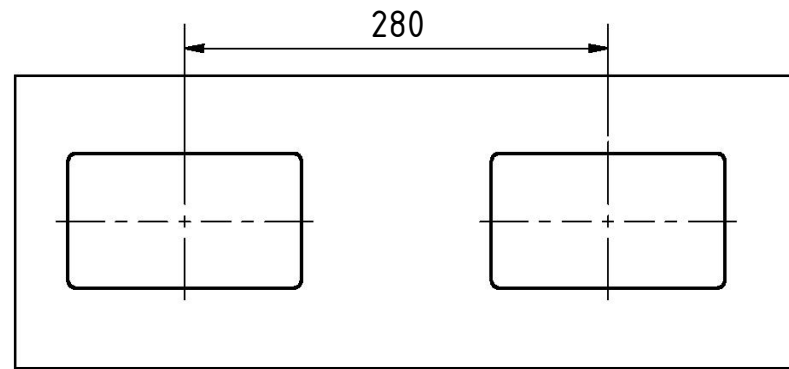
Installation recommendation PKE600+

Preparation for control panel

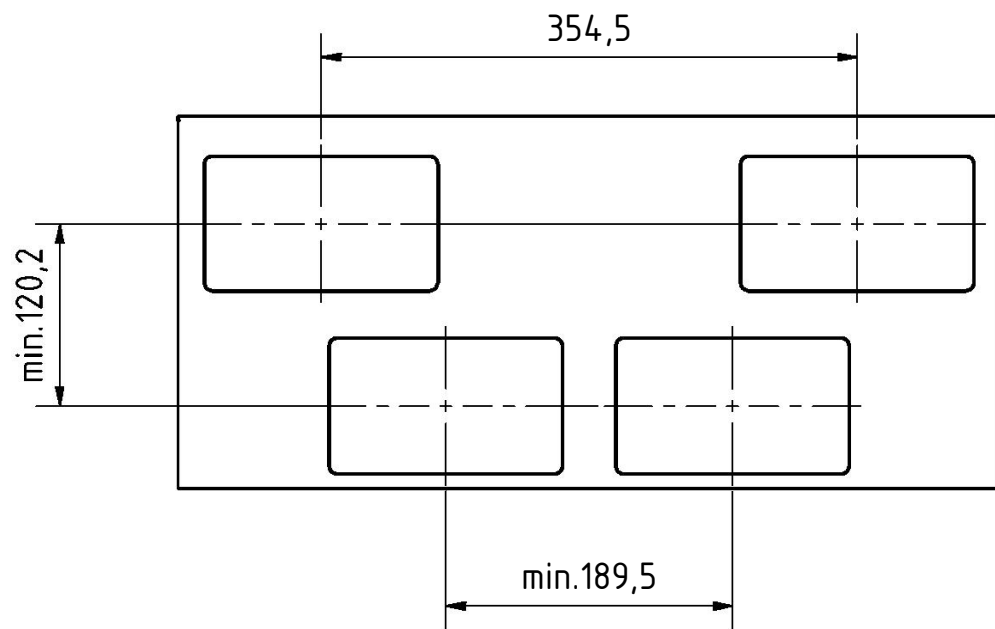


8 welding studs per control panel M3x10 at the backside of panel

single

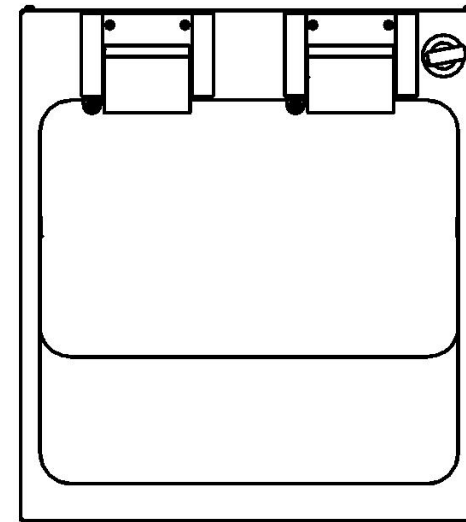


double

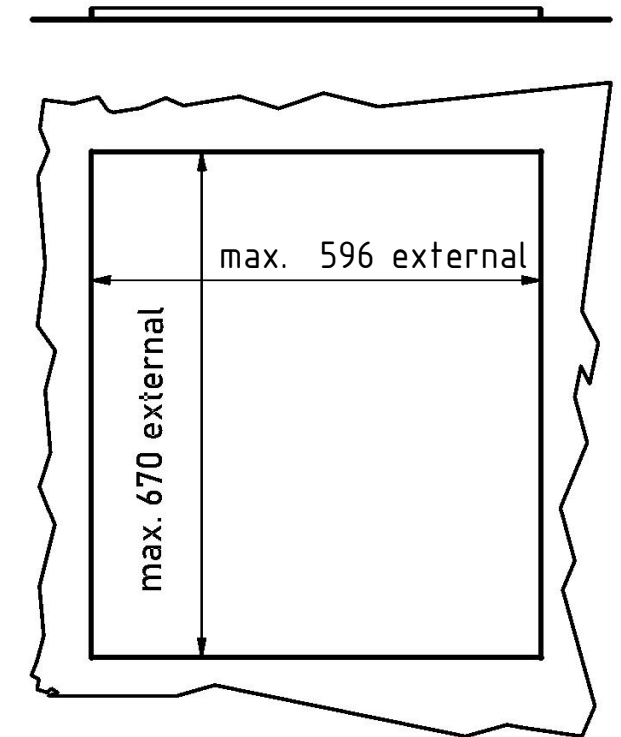


quadruple

Top view with built-in device

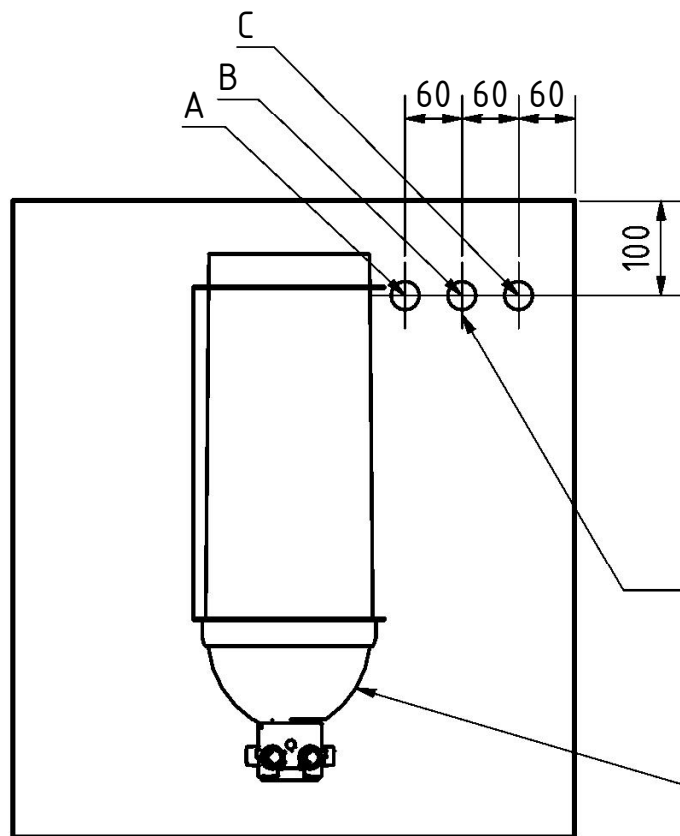


Cutout for built-in device



Installation recommendation PKE600+

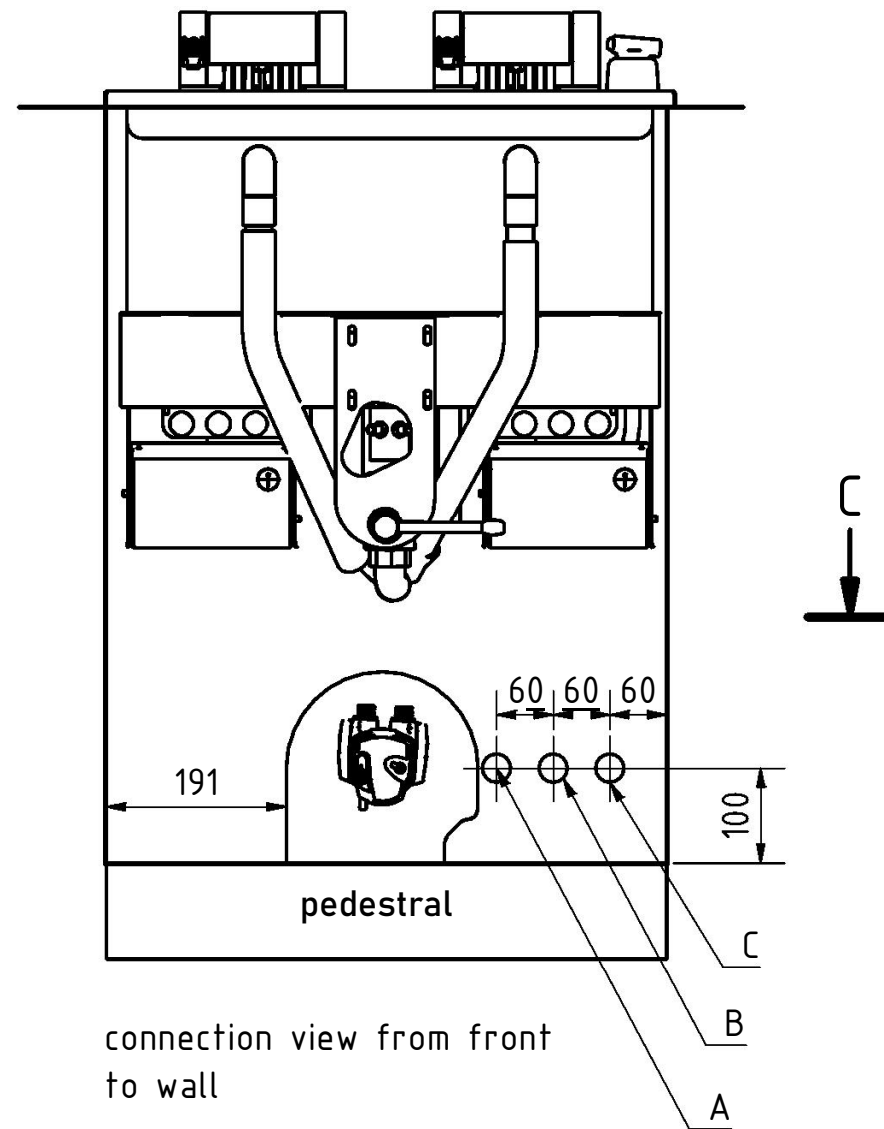
C-C (1 : 8)



Recommended floor plan
Top view to bottom

rec. tap water, hand shower

Optional:
(E)=water softener
with holder



connection view from front
to wall